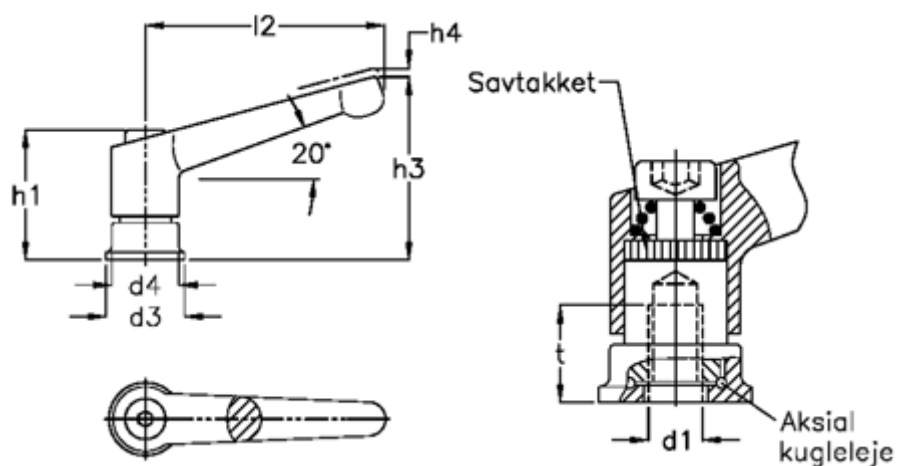


Article number: 20577499

Description: E+G Adjustable hand lever
GN 300.4-92-M10-RH, uncoated

Measures



d1 = M 10

d3 = 30

d4 = 24.0

h1 = 46.5

h3 = 68.5

h4 = 4.0

l1 = 92

t = 18.0